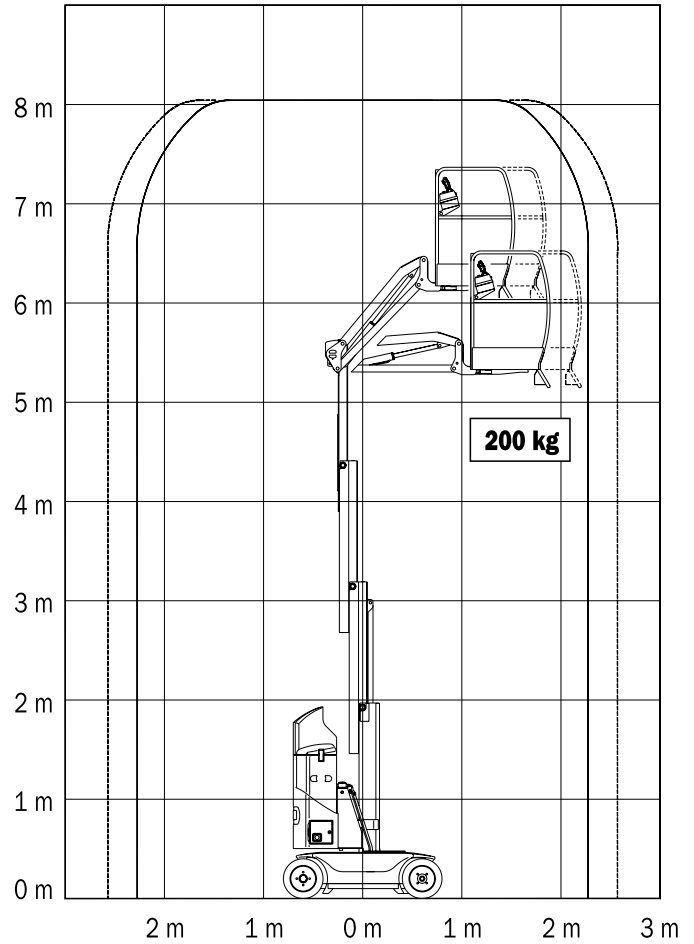


TOUCAN T8 E

.....	200
.....	8.20
.....	6.20
.....	2.20
UP and OVER	5.28
.....	344°
.....	1.18
.....	117°
.....	0.90 0,70
.....	0.99
.....	200
.....	1.99
.....	1.90
.....	1.20
.....	80
.....	1950
.....	14.9 / ?
.....	4.0 /
.....	0.65 /
.....	2.40
.....	20 %
.....	24 ,240 /
.....	220 ,30
.....
.....	4.8
.....	25
.....
.....	0.90 1.01
.....	2.20

TOUCAN T8E



TOUCAN T8E

